



# INSTALLATION MANUAL

KarizmaLuce\_installation\_manual\_48V-Q3-Q4\_Luminaires\_V02

KARIZMA luce

## 48V Q3-Q4 luminaires



 Connect the luminaire to a constant current driver matching specified current and voltage. Direct connection to mains will damage the light source.



### IMPORTANT NOTICE

To ensure safety and correct operation, please follow these guidelines during installation and use. Compliance with these instructions is strongly recommended.

#### SAFETY WARNING

Before starting installation, or carrying out any maintenance, always disconnect the luminaire from the power supply.

Do not attempt to alter or tamper with the product in any way. Unauthorised modifications may compromise safety and create hazardous situations.

Karizma Luce is not liable for any damages or risks resulting from modified products.

This product is intended exclusively for indoor use.

#### CARE & CLEANING TIPS

To clean the luminaire, gently wipe it with a soft cloth dampened with water.

For stubborn dirt, use a small amount of mild soap or detergent.

Do not use alcohol, solvents, or harsh chemicals, as these may damage the surface or components.

Dispose of luminaires separately from household waste in accordance with the WEEE Directive.



Warning - Follow safety instructions



Attention - important information, please read carefully



CE marking - complies with EU safety, health, and environmental requirements



Dispose separately from household waste in accordance with WEEE Directive



For the latest version of the manual and available accessories check [www.karizmaluce.com](http://www.karizmaluce.com) or contact your sales representative.

Scan me





# INSTALLATION MANUAL

KarizmaLuce\_installation\_manual\_48V-Q3-Q4\_Luminaires\_V02


KARIZMA **luce**

## INSTALLATION OF LUMINAIRES

### PREPARATION:

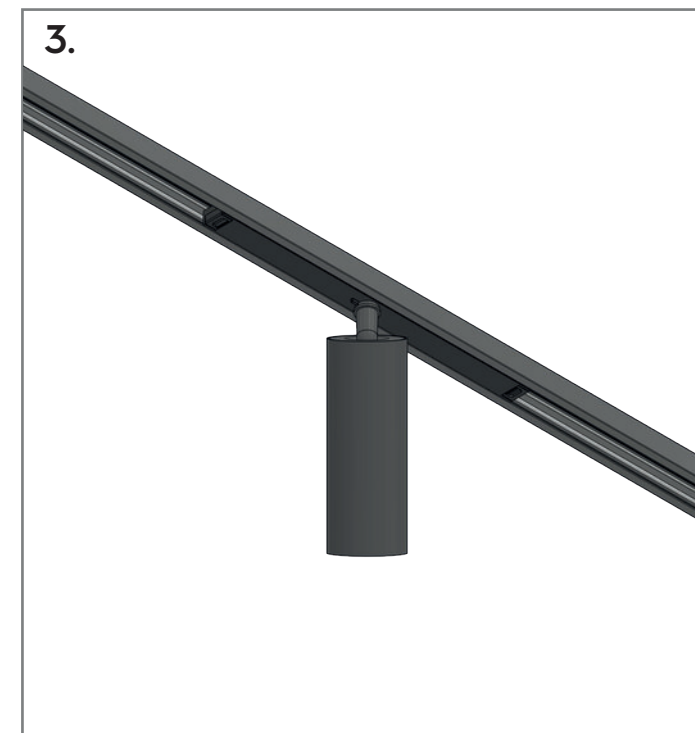
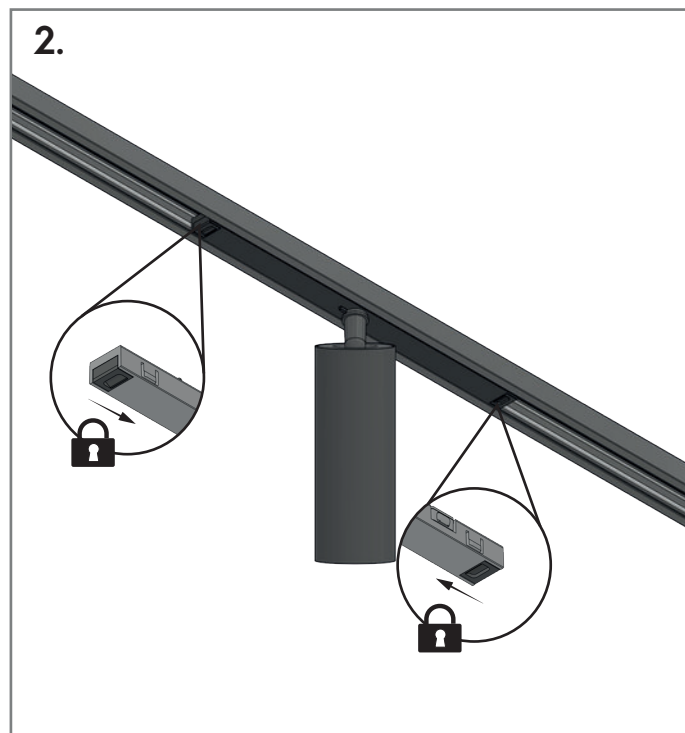
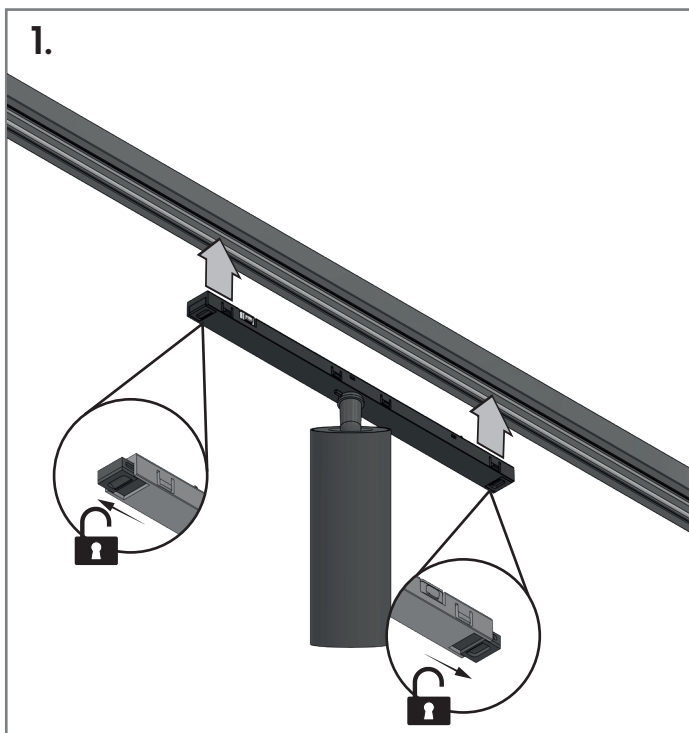
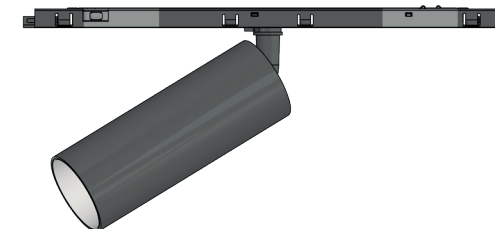
- Carefully read the manual before installation to guarantee the correct and safe operation of the luminaire.
- Ensure the usage of the correct 48V track. The luminaire must not be modified. Modifying the luminaire in any way invalidates the guarantee and may make the luminaire hazardous.
- Before connecting the 48V luminaire to the track, please make sure that the installed AC/DC converter is compatible. The number of 48V luminaires depends on the power provided by the AC/DC converter.
- Never cover the luminaire during use.
- Never use luminaires classified for indoor use in an outside environment, even if they are protected from the elements.
- The adapter of the Q-Line series 48V mini track system is orientation free.

### PLEASE NOTE: THE LUMINAIRE MUST BE INSTALLED BY QUALIFIED PERSONNEL!

 The following instructions are valid for all 48V mini track luminaires, the luminaire used serves for illustration purposes.



When installing the luminaire, hold it in the highlighted areas.




FOR REMOVAL OF LUMINAIRE, FOLLOW THE ABOVE INSTRUCTIONS IN REVERSE. OPTIONAL REMOVAL TOOL ADVISED.




# INSTALLATION MANUAL

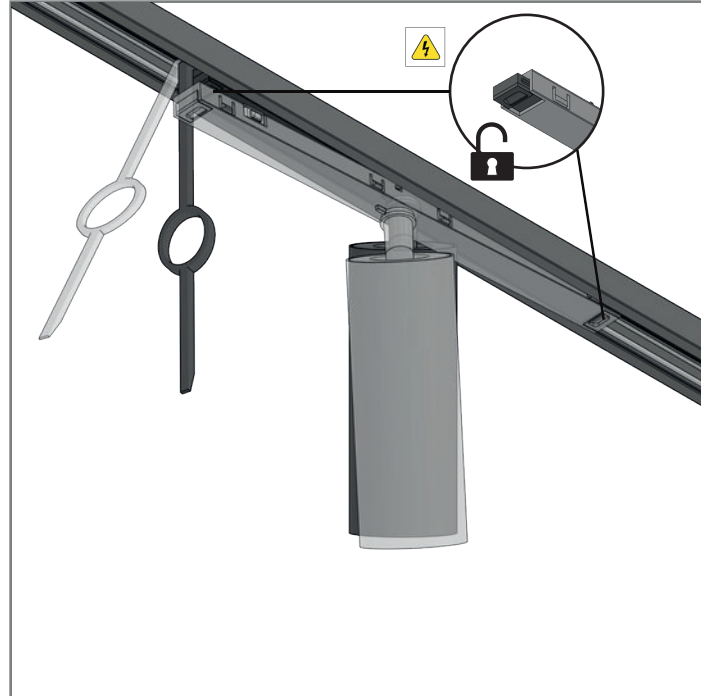
KarizmaLuce\_installation\_manual\_48V-Q3-Q4\_Luminaires\_V02


KARIZMA luce

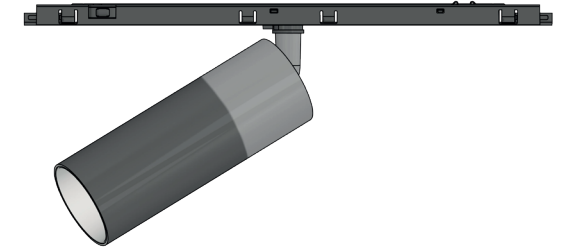
 For extra functionality, please check the table below.

	Tiltable	Rotatable	Other
Juno XXS Q3	✓	✓	
Juno XXS Q4	✓	✓	
Juno XXS Duo Q3	✓	✓	
Juno XXS Duo Q4	✓	✓	
Janus XXS Q3-Q4	✓	✓	exchangeable shell
Vesta XXS Q3-Q4			
Juno XS Q3	✓	✓	
Juno XS Q4	✓	✓	
Julio XS Q3			
Julio XS Q4			
Jolie XS Q3		✓	Wallwasher
Jolie XS Q4		✓	Wallwasher
Eros XS TR Q3	✓	✓	
Eros XS TR Q4	✓	✓	
Eros XS PE Q3-Q4			
Jupiter XS Q3-Q4	✓	✓	Zoom, 355° tilt
Jovis XXS Q3	✓	✓	Light framing, Zoom, Focus
Jovis XXS Q4	✓	✓	Light framing, Zoom, Focus
Punto L Q3-Q4			
Flusso M Q3-Q4			
Punto M Q3-Q4			
Flusso L Q3-Q4			

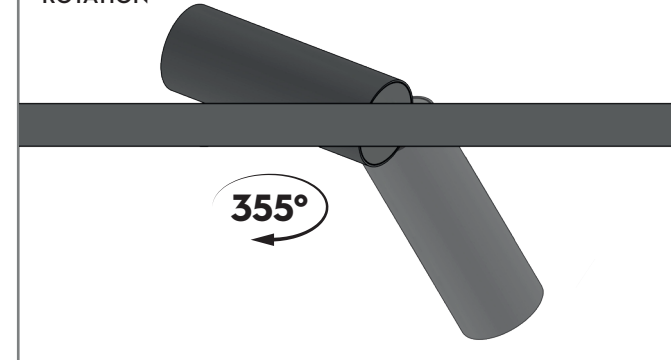
 The instructions below demonstrate how to remove the luminaires using the optional removal tool.



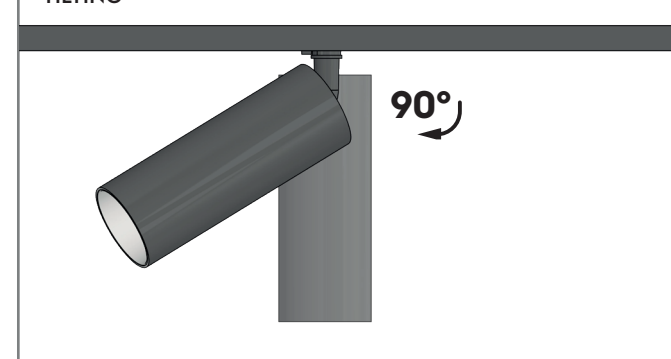
 When manipulating the luminaire's rotation or tilt, hold it at the highlighted area and gently press it in the direction wanted. Pay attention to the lock and hinge direction.



ROTATION



TILTING




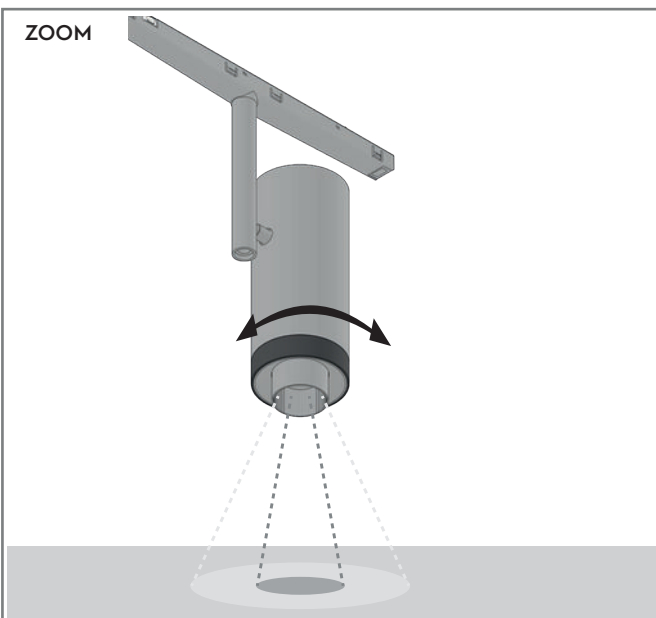
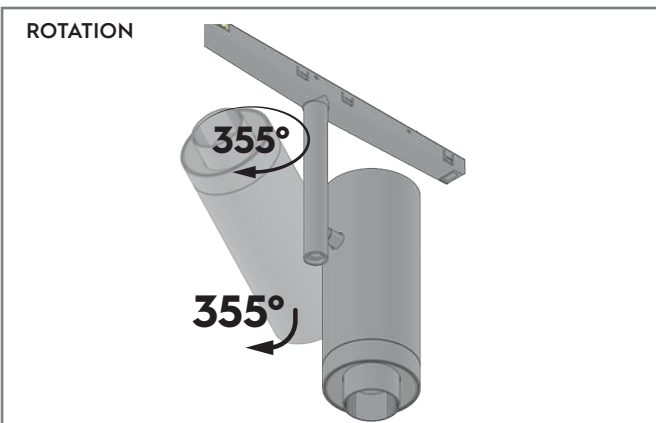



# INSTALLATION MANUAL

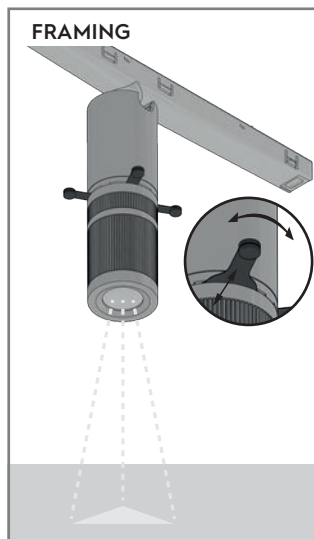
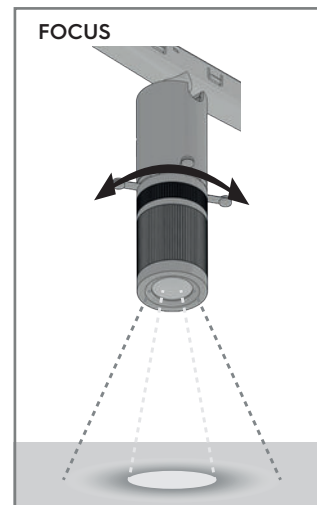
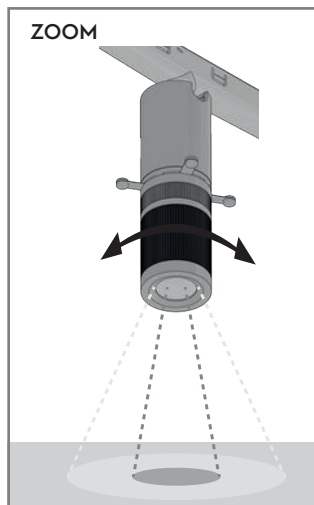
KarizmaLuce\_installation\_manual\_48V-Q3-Q4\_Luminaire\_V02


KARIZMA **luce**

 The instructions below are only valid for Jupiter XS Q3-Q4.



 The instructions below are only valid for Jovis XXS Q3 & Q4.



 The instructions below are only valid for Janus Q3-Q4.

