

## Corpo S/L



**⚠** Connect the luminaire to a constant current driver matching specified current and voltage. Direct connection to mains will damage the light source.

Reference	A[mm]	B[mm]	C[mm]	Ø[mm]	h[mm]	r[mm]	I <sub>max</sub> [mA]	V <sub>i</sub> [V]
Corpo S	70	90	8-20	63	60.5	56	150	36
Corpo L	70	100	8-20	85	68	76	350	36



### IMPORTANT NOTICE

To ensure the safety and correct operation of this product, it is essential to follow these guidelines during installation and use. Compliance with these instructions is strongly recommended.

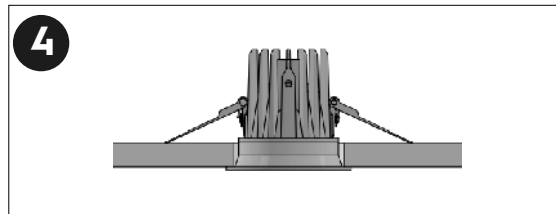
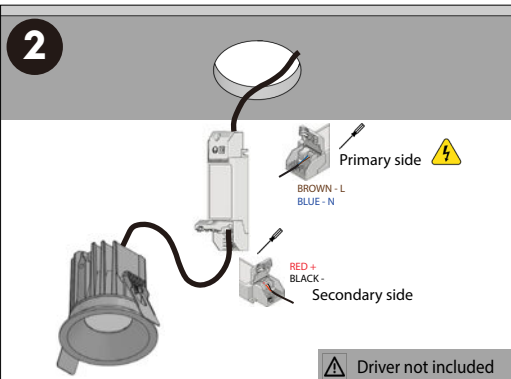
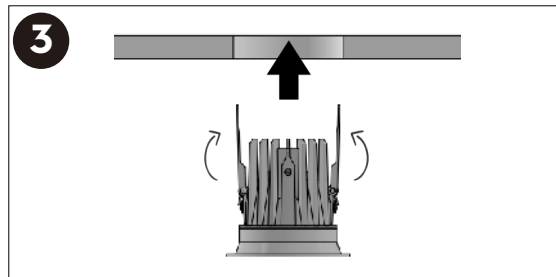
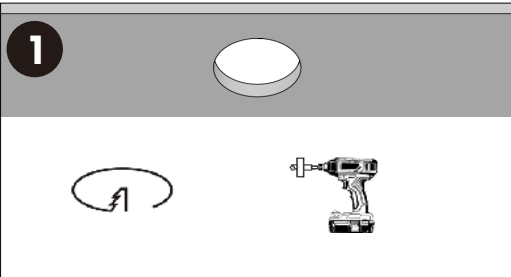
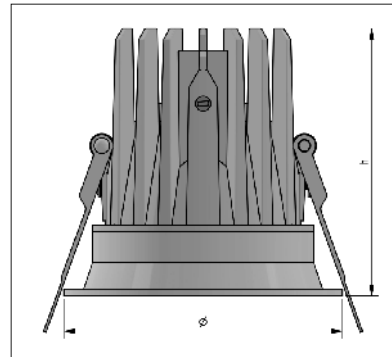
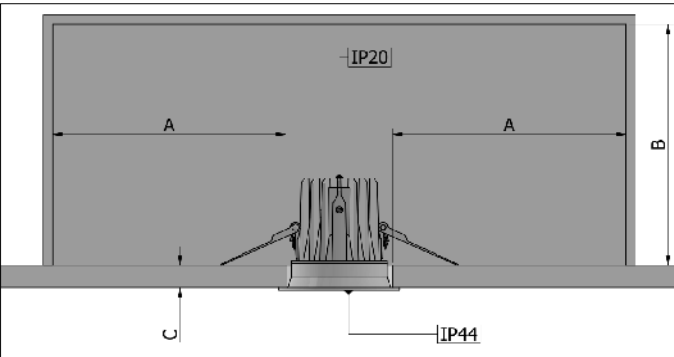
### SAFETY WARNING

Before starting installation or carrying out any maintenance, always disconnect the luminaire from the power supply. Do not attempt to alter or tamper with the product in any way. Unauthorised modifications may compromise safety and create hazardous situations. Karizma Luce is not liable for any damage or risk resulting from modified products. This product is intended exclusively for indoor use.

### CARE & CLEANING TIPS

To clean the luminaire, gently wipe it with a soft cloth dampened with water. For stubborn dirt, use a small amount of mild soap or detergent.

**Important:** Do not use alcohol, solvents, or harsh chemicals, as these may damage the surface or components.



### PICTOGRAM LEGEND

- Warning - follow safety instructions
- Attention - important information, please read carefully
- CE marking - complies with EU safety, health, and environmental requirements
- Do not cover the device with insulation or other materials
- IP44 from optical side | IP20 from rear side
- Class II: Double insulated - no protective earth connection required
- Installation position - refer to orientation symbol
- For indoor use only
- LED can be replaced by an authorized person
- Driver can be replaced by an authorized person
- Dispose separate from household waste in accordance with WEEE Directive

