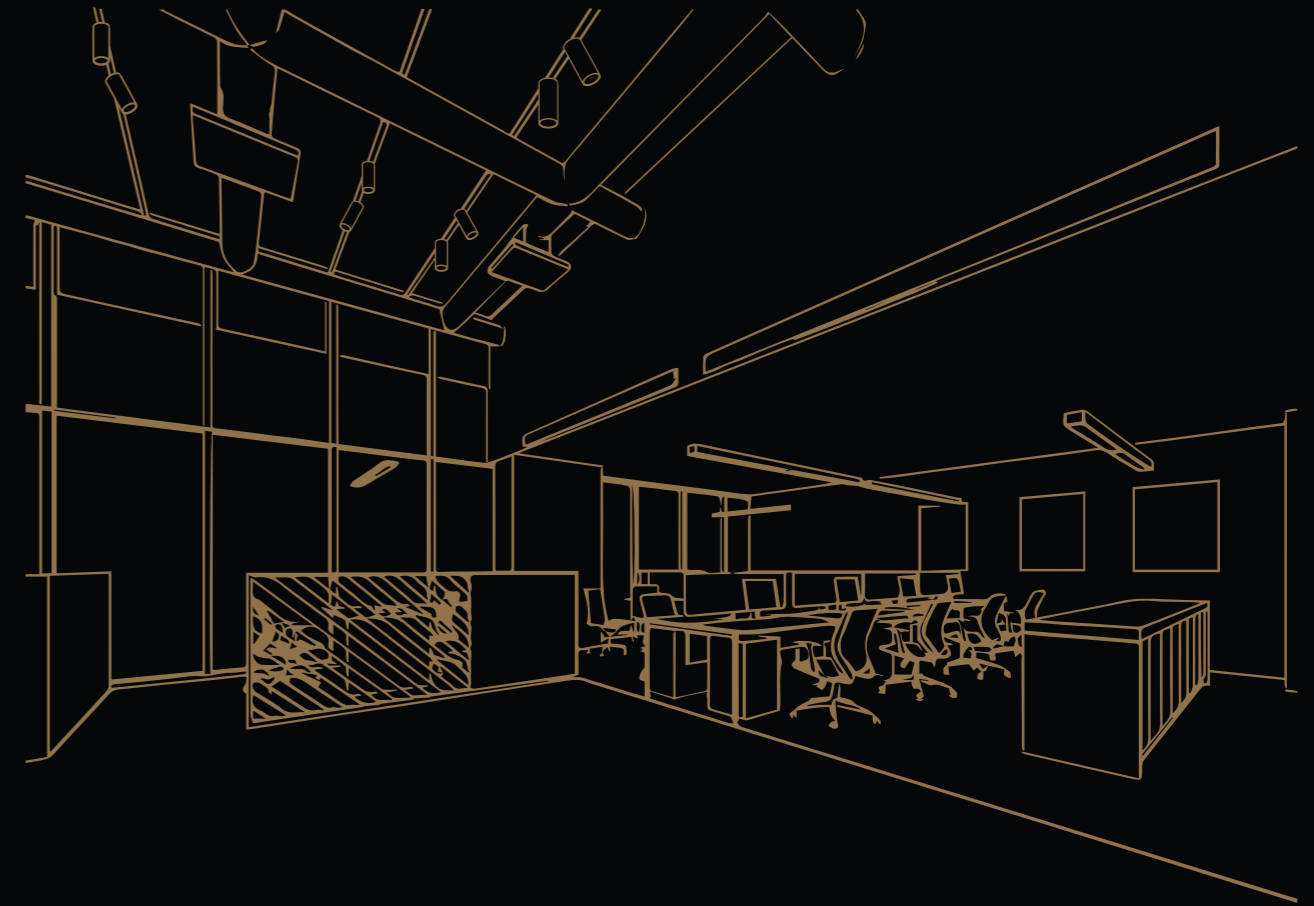


**Q-Line series**  
48V TRACK SYSTEM



**Dea Juno-Q duo XS**  
*small, yet versatile.*

The 48V luminaire Dea Juno duo is a real eye-catcher thanks to its small measurements, deep recessed light source and beautiful colour options. These make it possible to adapt this luminaire to any interior and smoothly create a unique, personal ambience. This double 48V track spot ensures you not only a timeless design, it also offers maximum modern-day efficiency.

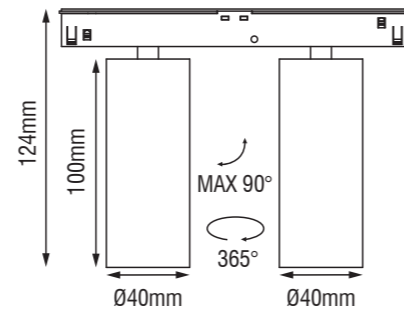


Dea Juno-Q1 duo XS.



Description	Reflector	Angle	White	Black
2x490lm 927 14W	black high gloss	34°	Q612BW92734BGF0	Q612BB92734BGF0
2x500lm 930 14W	black high gloss	34°	Q612BW93034BGF0	Q612BB93034BGF0
2x510lm 940 14W	black high gloss	34°	Q612BW94034BGF0	Q612BB94034BGF0
2x490lm 927 14W	silver high gloss	34°	Q612BW92734SGF0	Q612BB92734SGF0
2x500lm 930 14W	silver high gloss	34°	Q612BW93034SGF0	Q612BB93034SGF0
2x510lm 940 14W	silver high gloss	34°	Q612BW94034SGF0	Q612BB94034SGF0
2x490lm 927 14W	chrome	34°	Q612BW92734CHF0	Q612BB92734CHF0
2x500lm 930 14W	chrome	34°	Q612BW93034CHF0	Q612BB93034CHF0
2x510lm 940 14W	chrome	34°	Q612BW94034CHF0	Q612BB94034CHF0
2x490lm 927 14W	white	34°	Q612BW92734WHF0	Q612BB92734WHF0
2x500lm 930 14W	white	34°	Q612BW93034WHF0	Q612BB93034WHF0
2x510lm 940 14W	white	34°	Q612BW94034WHF0	Q612BB94034WHF0
2x490lm 927 14W	gold	34°	Q612BW92734GOF0	Q612BB92734GOF0
2x500lm 930 14W	gold	34°	Q612BW93034GOF0	Q612BB93034GOF0
2x510lm 940 14W	gold	34°	Q612BW94034GOF0	Q612BB94034GOF0
2x490lm 927 14W	black matt	34°	Q612BW92734BMF0	Q612BB92734BMF0
2x500lm 930 14W	black matt	34°	Q612BW93034BMF0	Q612BB93034BMF0
2x510lm 940 14W	black matt	34°	Q612BW94034BMF0	Q612BB94034BMF0
2x490lm 927 14W	copper	34°	Q612BW92734COF0	Q612BB92734COF0
2x500lm 930 14W	copper	34°	Q612BW93034COF0	Q612BB93034COF0
2x510lm 940 14W	copper	34°	Q612BW94034COF0	Q612BB94034COF0

For the difference between Q1 and Q2 tracks, see page 194.



Dea Juno-Q2 duo XS.



Description	Reflector	Angle	White	Black
2x490lm 927 14W	black high gloss	34°	Q622BW92734BGF0	Q622BB92734BGF0
2x500lm 930 14W	black high gloss	34°	Q622BW93034BGF0	Q622BB93034BGF0
2x510lm 940 14W	black high gloss	34°	Q622BW94034BGF0	Q622BB94034BGF0
2x490lm 927 14W	silver high gloss	34°	Q622BW92734SGF0	Q622BB92734SGF0
2x500lm 930 14W	silver high gloss	34°	Q622BW93034SGF0	Q622BB93034SGF0
2x510lm 940 14W	silver high gloss	34°	Q622BW94034SGF0	Q622BB94034SGF0
2x490lm 927 14W	chrome	34°	Q622BW92734CHF0	Q622BB92734CHF0
2x500lm 930 14W	chrome	34°	Q622BW93034CHF0	Q622BB93034CHF0
2x510lm 940 14W	chrome	34°	Q622BW94034CHF0	Q622BB94034CHF0
2x490lm 927 14W	white	34°	Q622BW92734WHF0	Q622BB92734WHF0
2x500lm 930 14W	white	34°	Q622BW93034WHF0	Q622BB93034WHF0
2x510lm 940 14W	white	34°	Q622BW94034WHF0	Q622BB94034WHF0
2x490lm 927 14W	gold	34°	Q622BW92734GOF0	Q622BB92734GOF0
2x500lm 930 14W	gold	34°	Q622BW93034GOF0	Q622BB93034GOF0
2x510lm 940 14W	gold	34°	Q622BW94034GOF0	Q622BB94034GOF0
2x490lm 927 14W	black matt	34°	Q622BW92734BMF0	Q622BB92734BMF0
2x500lm 930 14W	black matt	34°	Q622BW93034BMF0	Q622BB93034BMF0
2x510lm 940 14W	black matt	34°	Q622BW94034BMF0	Q622BB94034BMF0
2x490lm 927 14W	copper	34°	Q622BW92734COF0	Q622BB92734COF0
2x500lm 930 14W	copper	34°	Q622BW93034COF0	Q622BB93034COF0
2x510lm 940 14W	copper	34°	Q622BW94034COF0	Q622BB94034COF0

For the difference between Q1 and Q2 tracks, see page 194.

